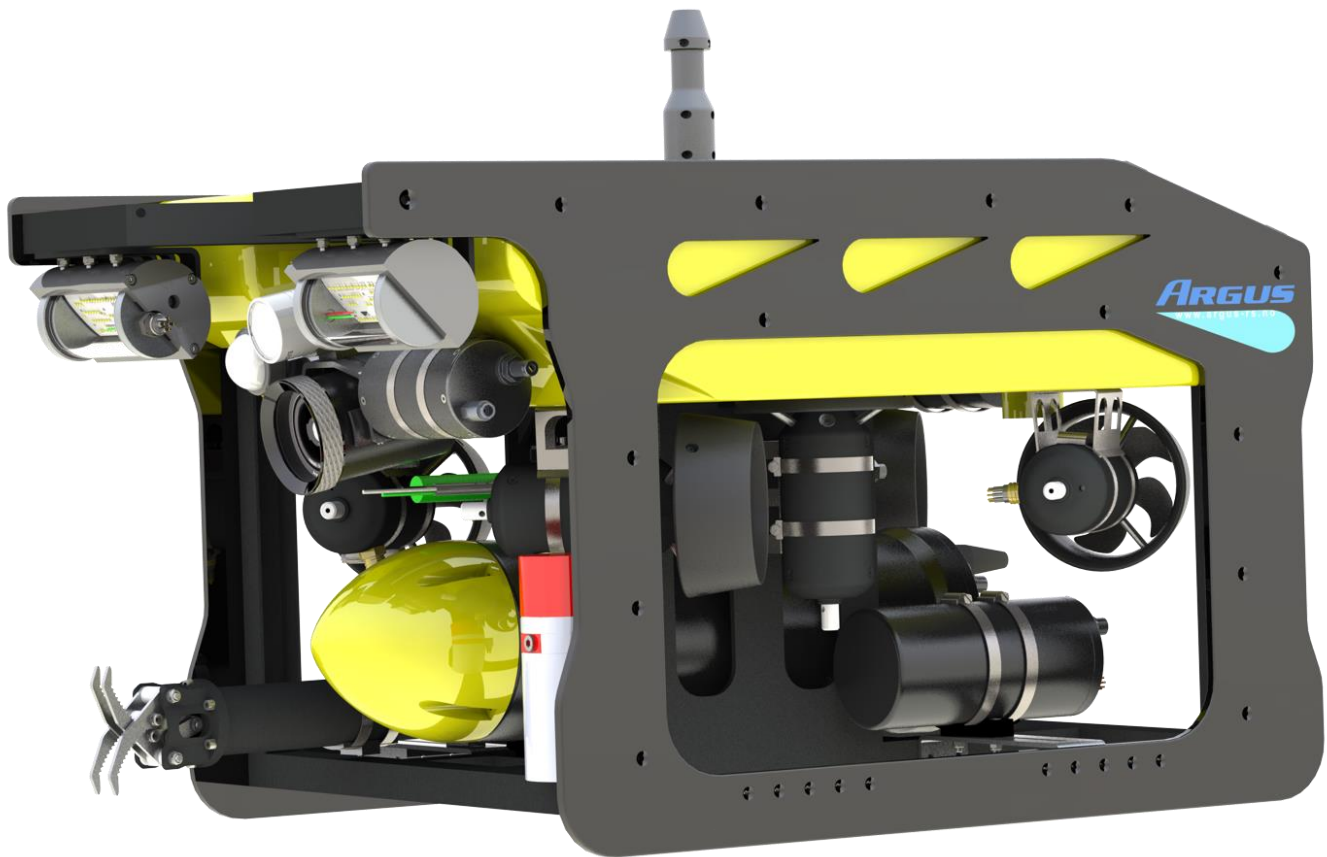


# Argus Mini ROV system



- OBS Class ROV 3kW
- 600 meter depth rated
- For Scientific, Offshore, Inshore, Fish farming

# Argus Mini ROV system

## TECHNICAL SPECIFICATIONS

### General

Dimensions:	
Length	: 0.9m
Width	: 0.65m
Height	: 0.5m
Weight	: ca. 100kg
Payload	: 5kg
Frame	: Aluminum
Pods	: Hard anodised Aluminum
Connectors	: Subconn / Seaconn
Buoyancy	: Syntactic foam
Depth rating	: 600msw

### Standard equipment fit

Lights	: 2 x Argus 130W LED Lights, gives 23 000 lumen, 5600 Kelvin in total
HDTV Camera	: Argus RS 1080i camera
Tilt for camera	: 24VDC
Depth sensor	: Keller 0.1%FS
Compass	: Fluxgate compass
Auto functions	: Auto Head Auto Depth Auto Altitude (if Altimeter fitted)
Ethernet channel	: Focal Mux
Isulation Guard	: Megacon

### Power requirements

ROV/HPU Power input	: 230VAC , 3kW, 16A Single-phase
Thrusters	: 6 x electric, 4 Horizontal and 2 vertical

### Optional equipment

CCD Camera	: CCD Colour camera superwide
Low light camera	: BW low light camera
Sonar	: Tritech, Imagenex, Gemini or Blueview
Altimeter	: Tritech PA500 or Valeport Depth/Alt
Manipulator	: Open/Close
Tools	: Brush tool
Video overlay	: Options Video logger
Latch for launch and recovery	
Umbilical sheave	

### Performance

Bollard pull fwd	: 40kg
lat	: 28kg
vert	: 24kg
Speed fwd	: 3kn
Speed vert	: 2kn

### Surface controls

Power distribution panel	: Insulation Guard for Power Safety
Control Console	: Stand alone panel or Pilot chair : Surface Control box

Winch 1000m capacity (14mm OD cable)

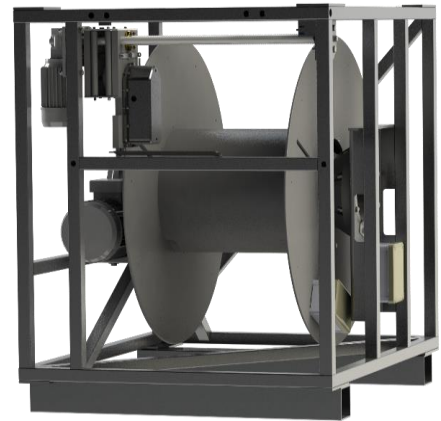
Sheave



Latch



Tether bucket



19 inch rack



Control console



Argus Mini



# Argus Mini ROV system

600m Depth rated ROV that will be equipped with a Argus HD camera, 2 x Argus 150W LED Lights, 1 x Argus Tilt with position feedback, 1 x Argus Roll/Pitch sensor, 1 x Fluxgate Compass and a Depth sensor with 0.1%FS as standard.

Surface the system will be delivered with a Portable 19 inch rack.

The Rack consists of Surface control box with Fiber mux system and surface ROV control system, Megacon Insulation guard system, Surface computer with keyboard and mouse, Videologix Proteus Video overlay, HD video recorder, Video splitter that split the monitor into 4 parts and the Power supply for the ROV. A Hard-drive can be connected to the computer for video recording.

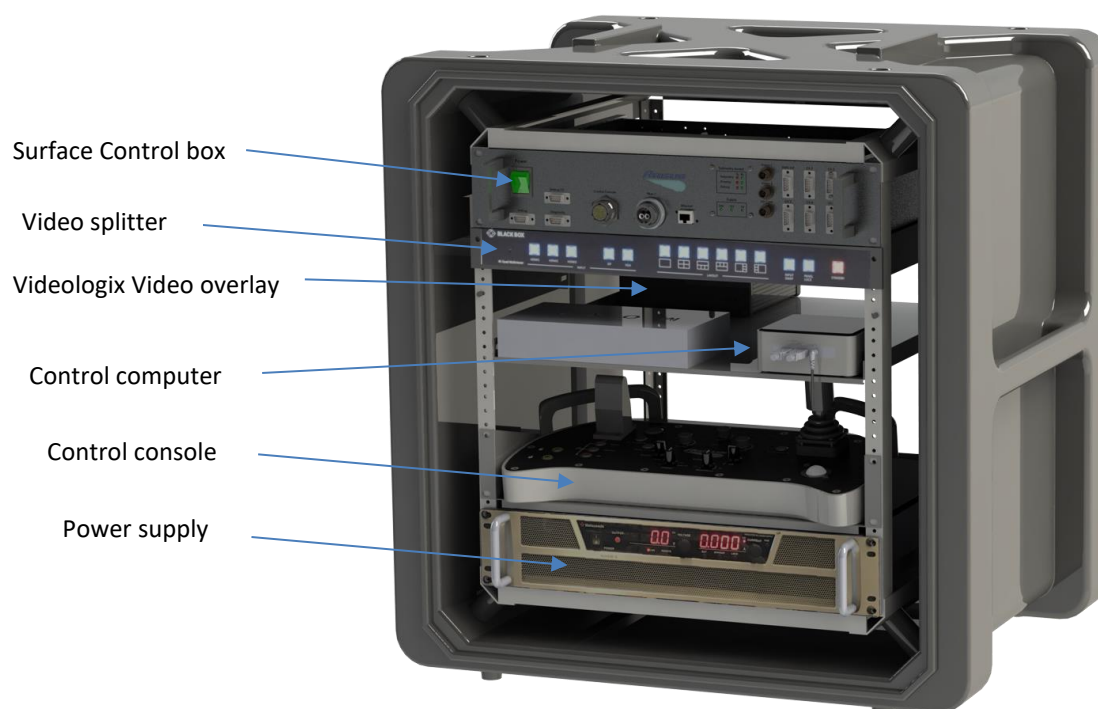
A Control console is connected to the Surface control box.

A 32 inch monitor is connected to the Rack displaying Video camera and ROV GUI.

The Umbilical is supplied with a termination box with fiber connector and power connector so that you can disconnect the Umbilical very easily from the ROV.

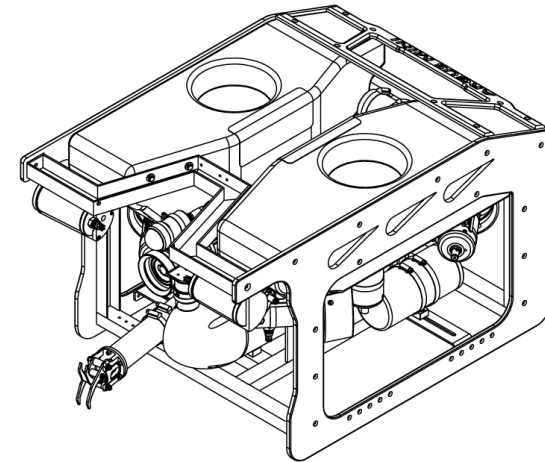
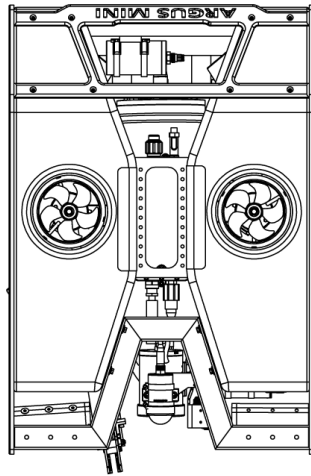
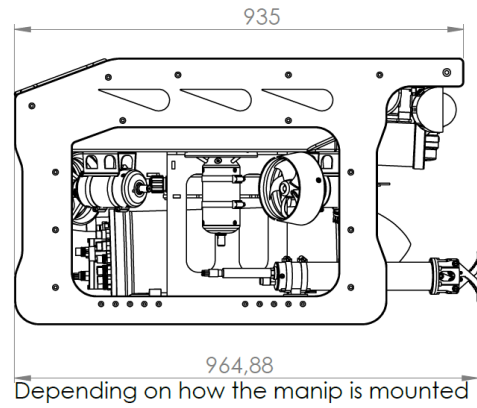
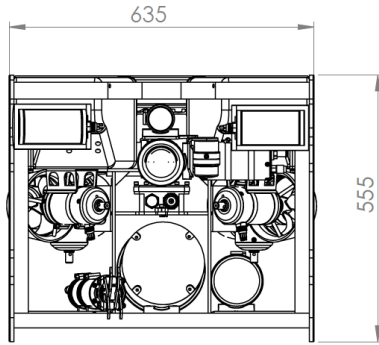
The System requires a 16A / 230VAC power input.

Auxiliary equipment like Sonar, manipulator, brush tool and different sensors can be connected to the ROV.



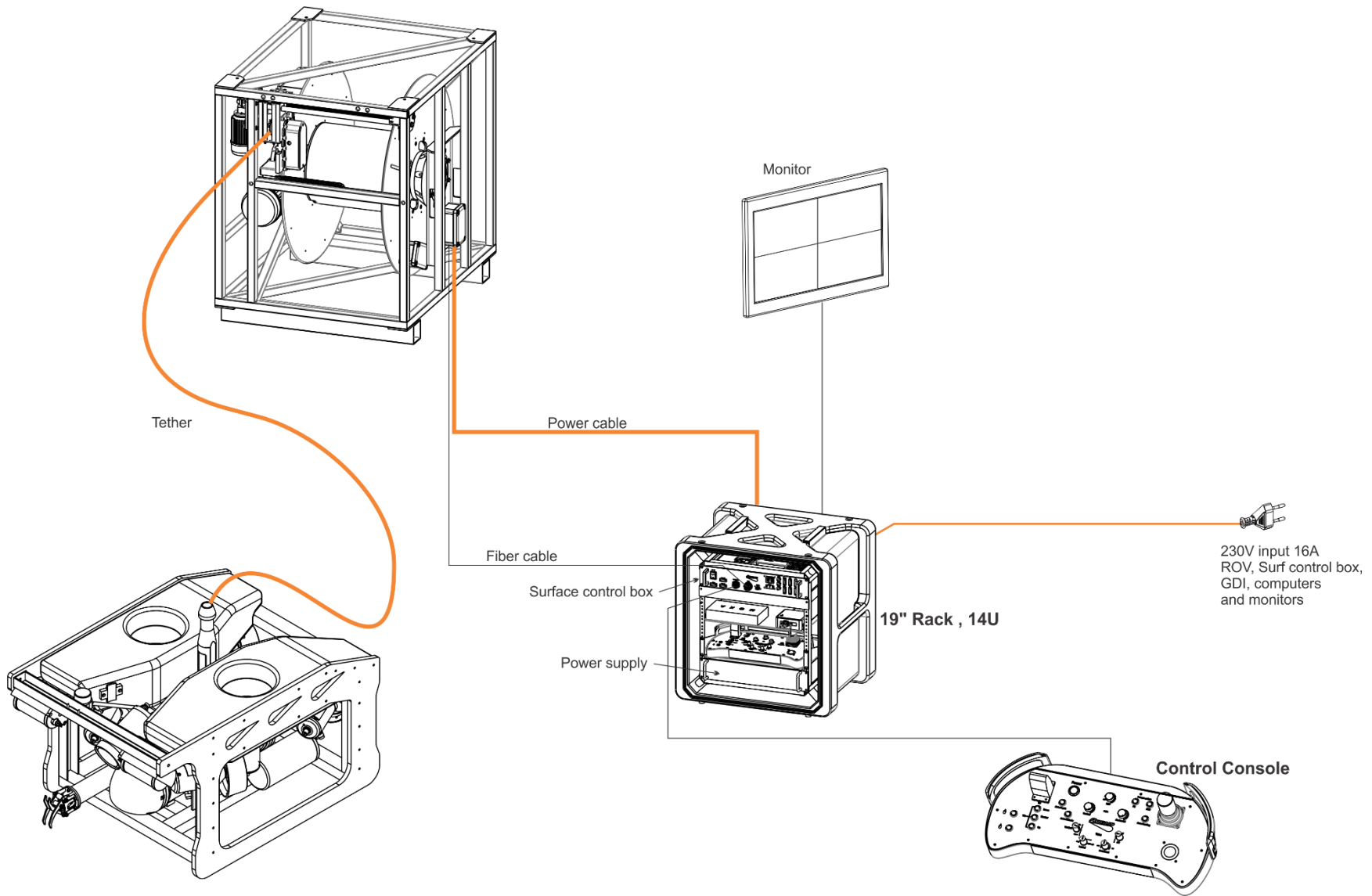
# Argus Mini

Standard dry weight: 87kg



This drawing may not be copied, altered or made available to others without written permission.						3D modelling	<b>ARGUS</b>
Date 27.06.2018	Name E. Kleppe	Format A3	Proj.	Scale 1:10	Weight 56.05	ARGUS REMOTE SYSTEMS AS Customer	
Material N.A.		Surface		Part no.	Replaced by		
SW file: ARS-099-1074 rev1 -Mini ROV Main dimensions						DWG no. <b>ARS-099-1074</b>	
Tolerance	Partlist number	Argus Project Number		Sheet 1 / 1	Revision		

# Argus Mini ROV system



# Argus Mini ROV system

